


## Cortizo Bifold Plus Bottom Details



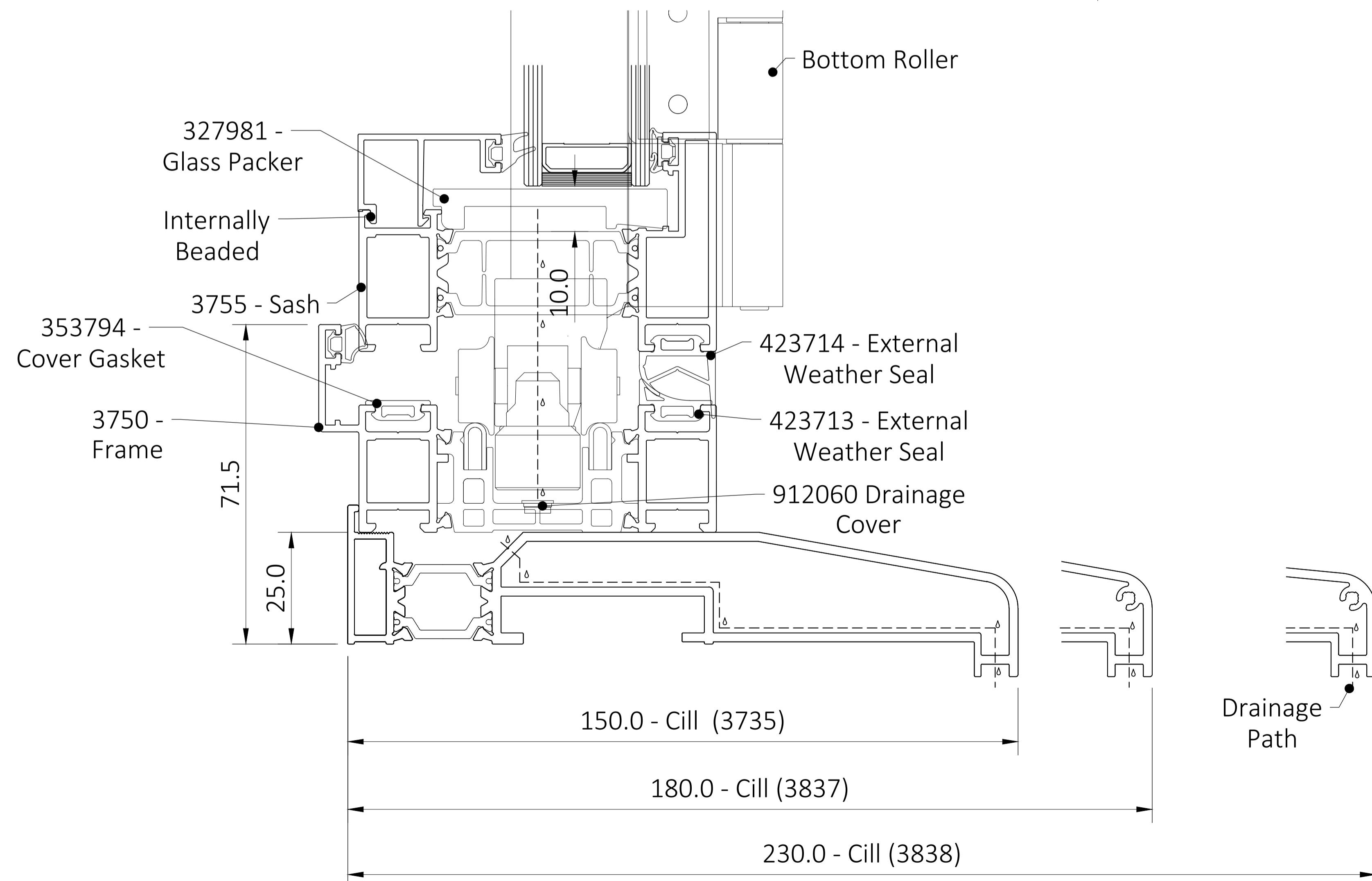
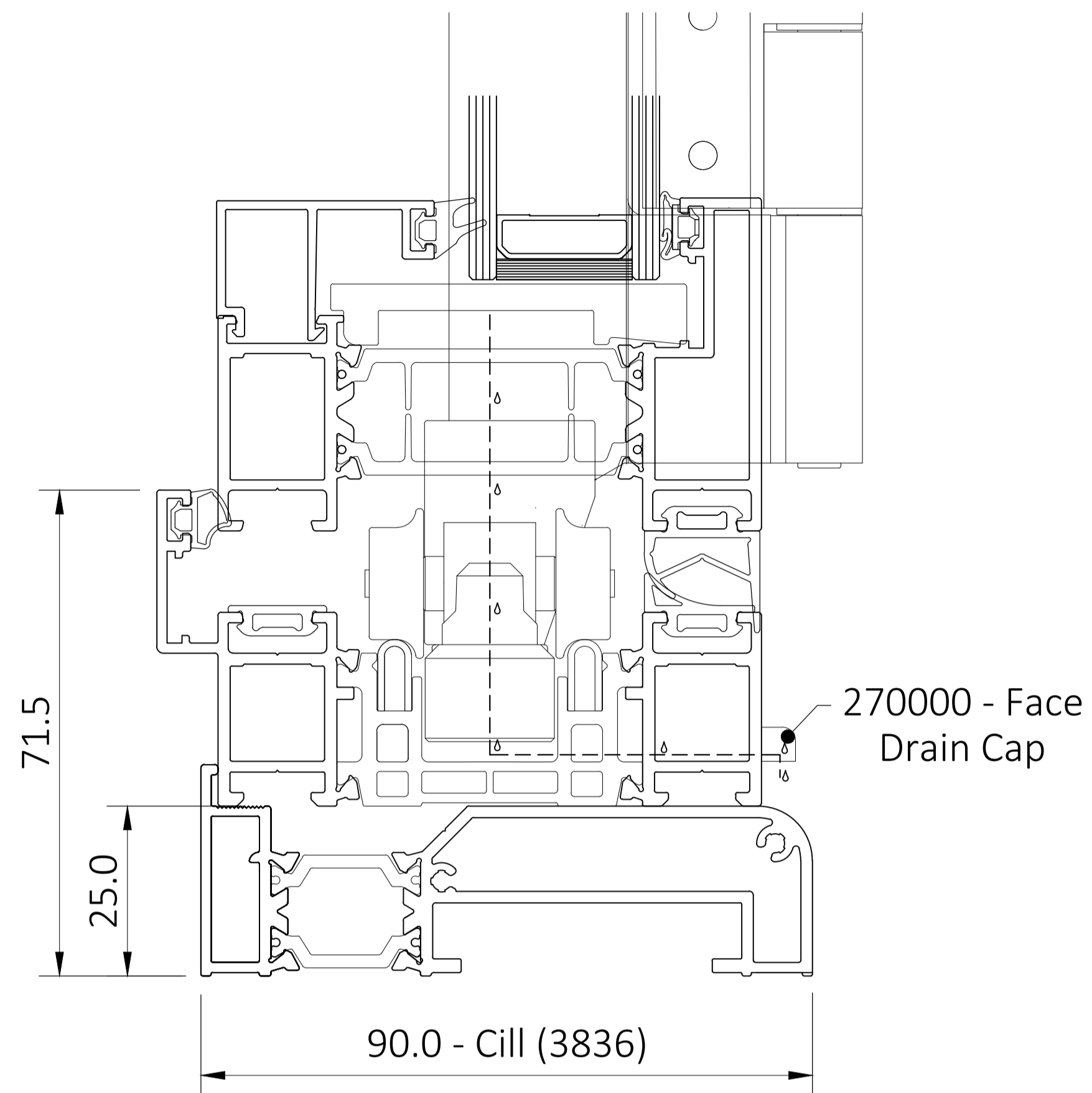
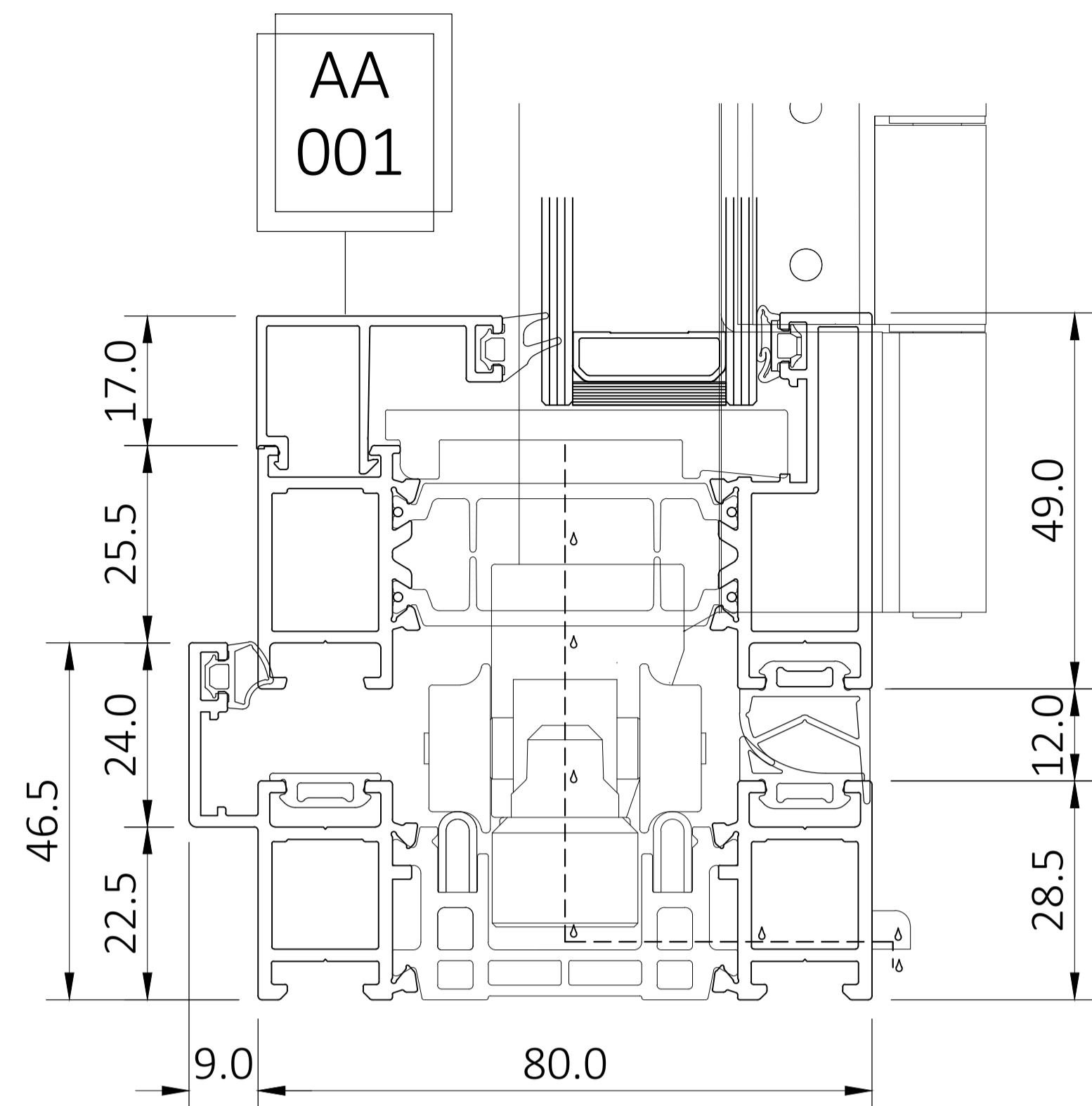
Apply Aluminium  
Suite 5B

 Blackthorn House  
Skull House Lane  
Appley Bridge  
WN6 7DB

 [www.Appleyaluminium.co.uk](http://www.Appleyaluminium.co.uk)

 Email: [Hello@Appleyaluminium.co.uk](mailto:Hello@Appleyaluminium.co.uk)

 Tel: 01942 835 096



Notes

Do Not Scale Off This Drawing.

If In Doubt Ask.

Drawing Overview

Frame Size: 80mm x 46.5mm  
Sash Height: 49mm  
Cill Height: 25mm

Drawing shows open out, frame & hardware to be mirrored for open in.

Revisions:

REV.	DATE:

**Appley Aluminium Limited**  
Suite 5B  
Blackthorn House  
Skull House Lane  
Appley Bridge  
WN6 7DB



© This drawing is the property of Appley Aluminium Limited. It is a confidential document and must not be copied, used or its contents divulged without prior consent.

JOB TITLE:

Cortizo Bifold Plus

CLIENT:

Appley Aluminium

DRAWING TITLE:

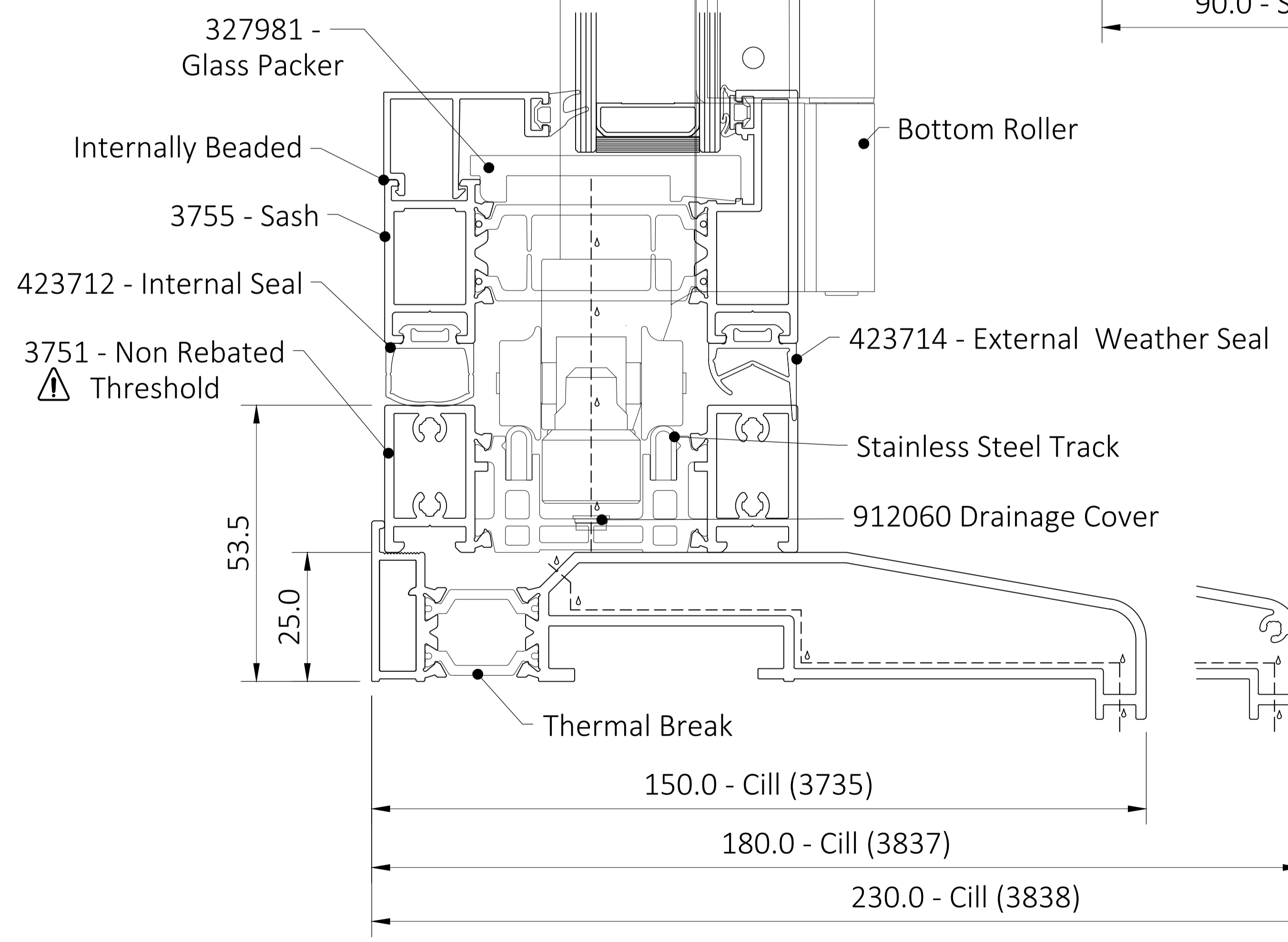
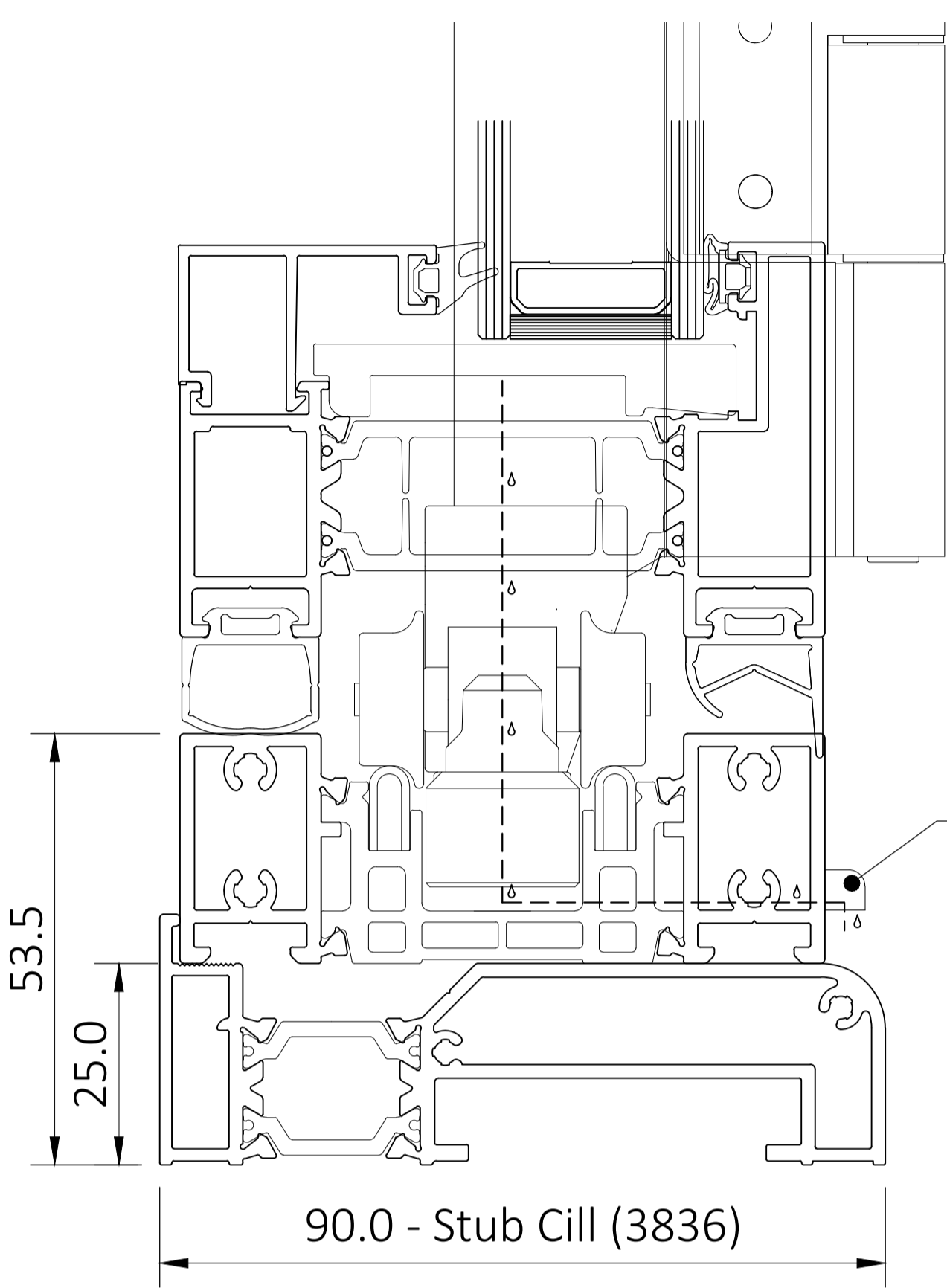
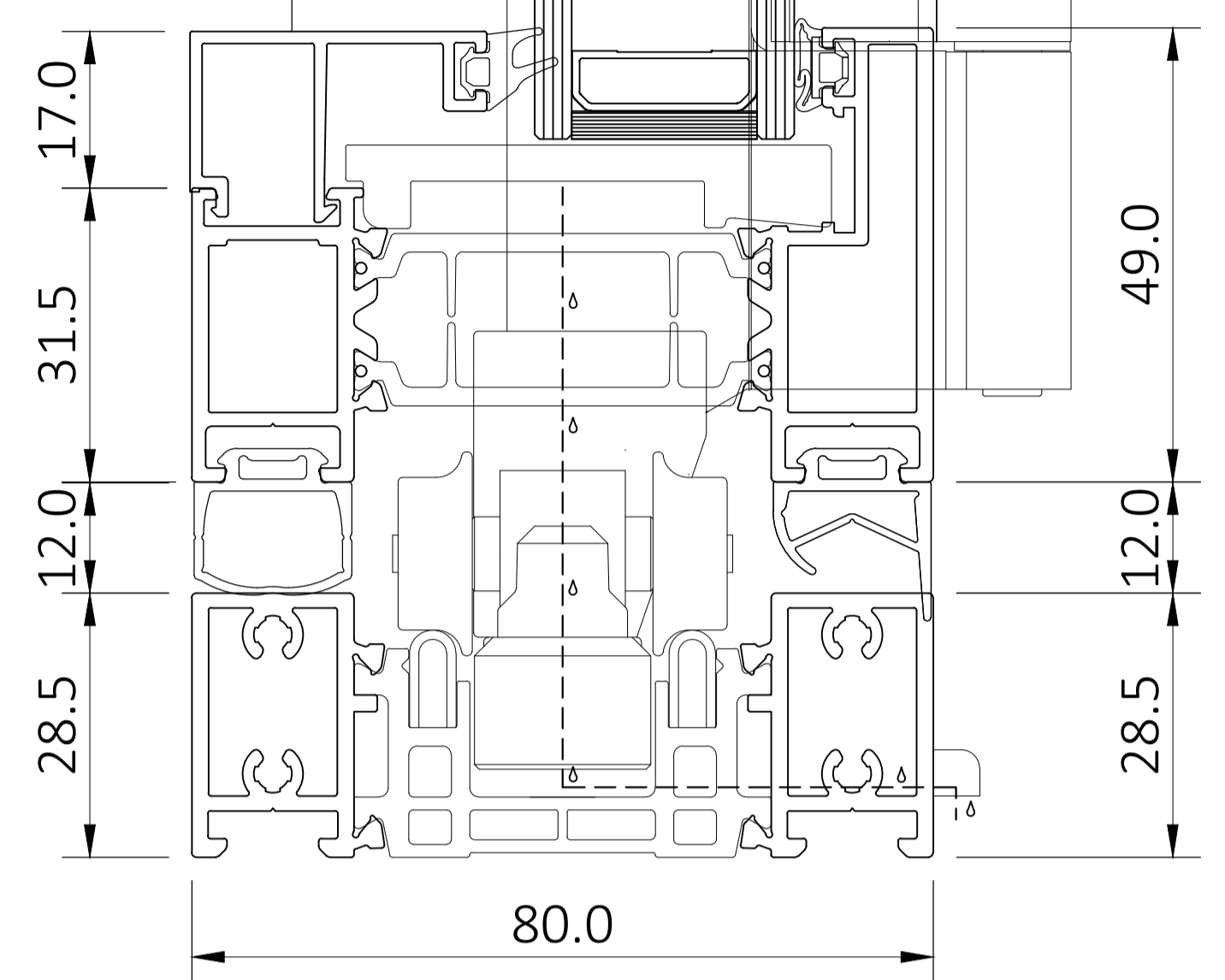
Rebated Threshold Detail

SCALE: N.T.S	DRAWN BY: JM	DATE: 01.08.24
SHEET A1	CHECKED BY: XX	DATE: dd/mm/yy

DRAWING No: AA - 001	REV. A
-------------------------	-----------

STATUS:  
XXXXX

AA  
002 (A)



Notes

Do Not Scale Off This drawing.  
If In Doubt Ask.

Drawing Overview

Frame Size: 80mm x 28.5mm  
Sash Height: 49mm  
Cill Height: 25mm

Drawing shows open out, frame & hardware to be mirrored for open in.

Non rebated thresholds are not weather rated.

Revisions:	
REV.	DATE:

**Appley Aluminium Limited**  
Suite 5B  
Blackthorn House  
Skull House Lane  
Appley Bridge  
WN6 7DB



© This drawing is the property of Appley Aluminium Limited. It is a confidential document and must not be copied, used or its contents divulged without prior consent.

JOB TITLE:  
Cortizo Bifold Plus

CLIENT:  
Appley Aluminium

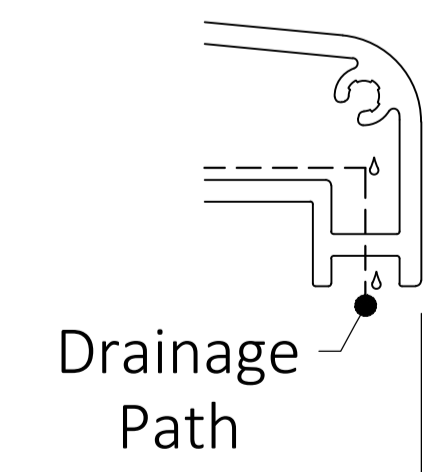
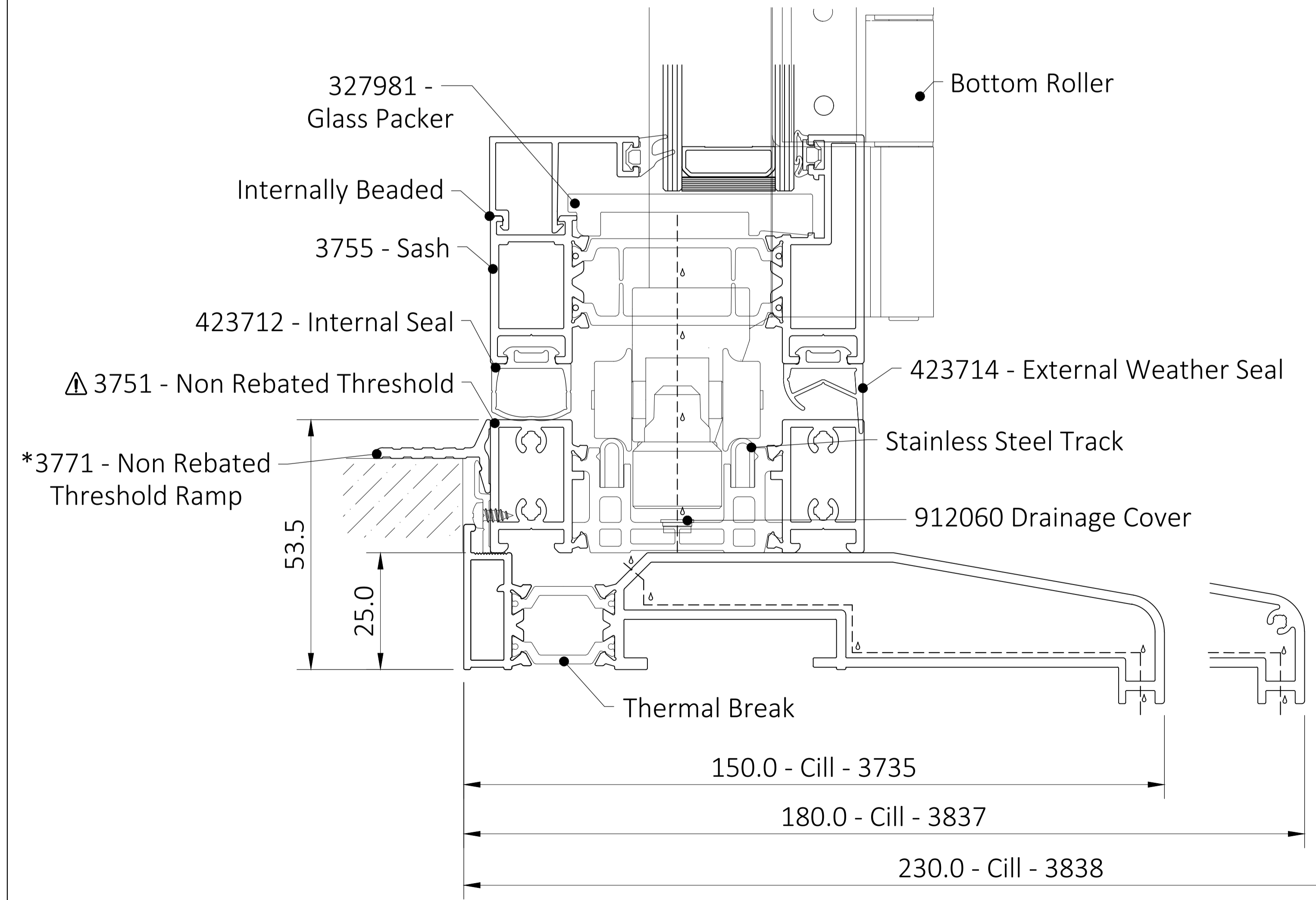
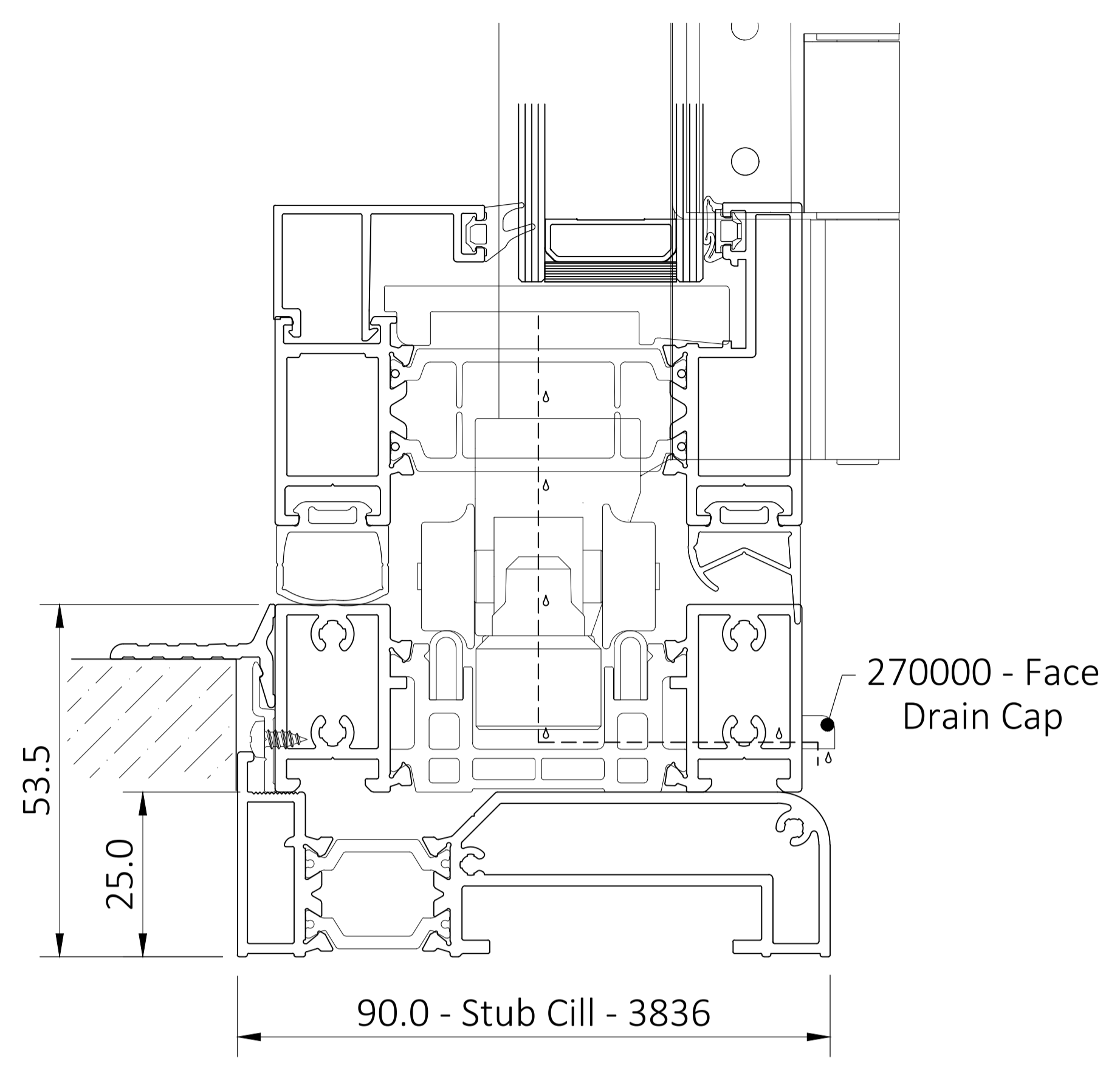
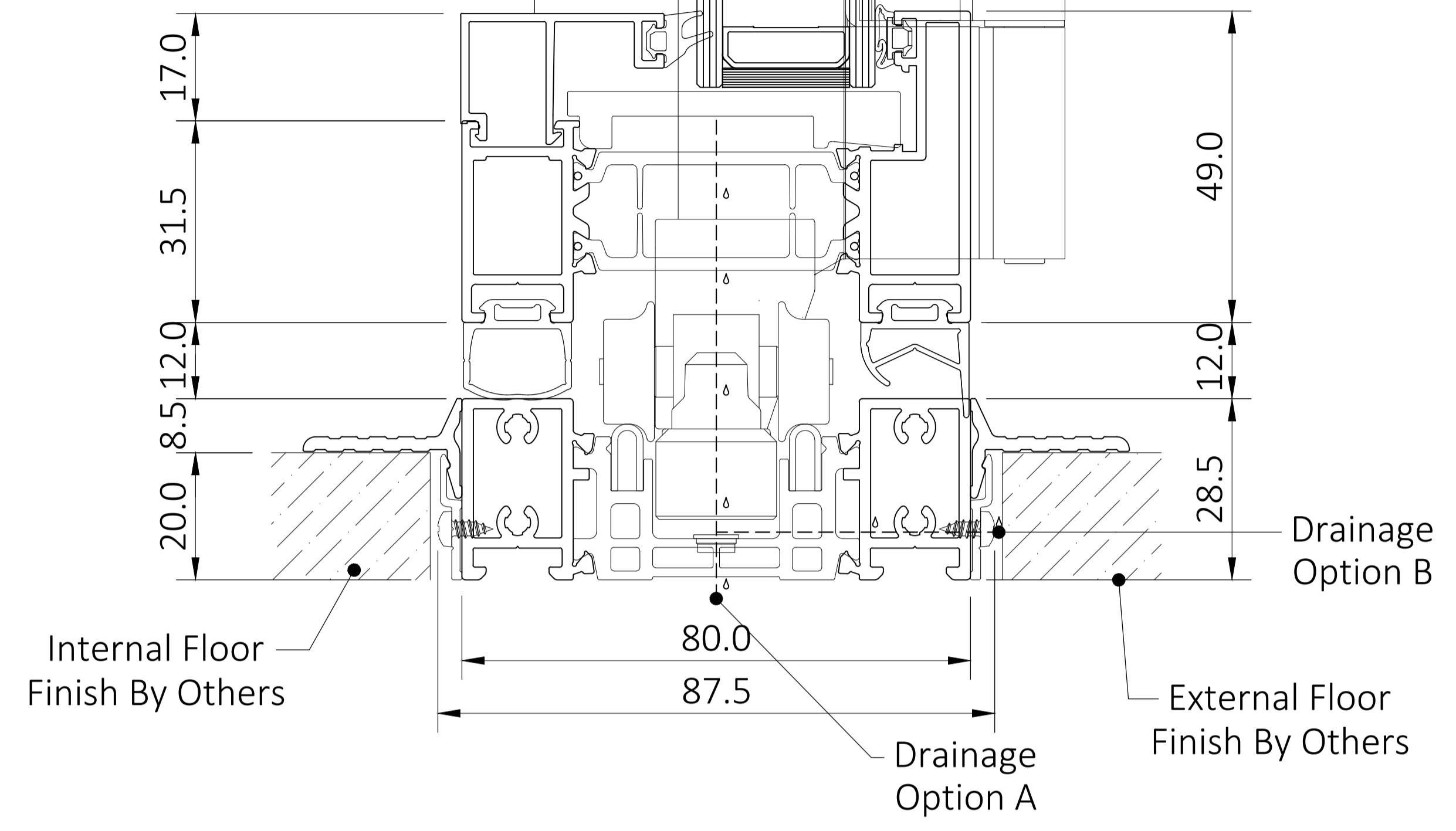
DRAWING TITLE:  
Non Rebated Thres Exc Ramps

SCALE: N.T.S	DRAWN BY: JM	DATE: 01.08.24
SHEET A1	CHECKED BY: XX	DATE: dd/mm/yy

DRAWING No: AA - 002 (A)	REV. A
-----------------------------	-----------

STATUS:  
XXXXX

AA  
002 (B)



Notes

Do Not Scale Off This Drawing.  
If In Doubt Ask.

Drawing Overview

Frame Size: 80mm x 28.5mm  
Frame Height To Underside Of Ramp: 20mm  
Sash Height: 49mm  
Cill Height: 25mm

Drawing shows open out, frame & hardware to be mirrored for open in.

Non rebated thresholds are not weather rated.

Ramp can in installed to one face or both.

Revisions:	
REV.	DATE:
REV.	DATE:
REV.	DATE:
REV.	DATE:

**Appley Aluminium Limited**  
Suite 5B  
Blackthorn House  
Skull House Lane  
Appley Bridge  
WN6 7DB



© This drawing is the property of Appley Aluminium Limited. It is a confidential document and must not be copied, used or its contents divulged without prior consent.

JOB TITLE:  
Cortizo Bifold Plus

CLIENT:  
Appley Aluminium

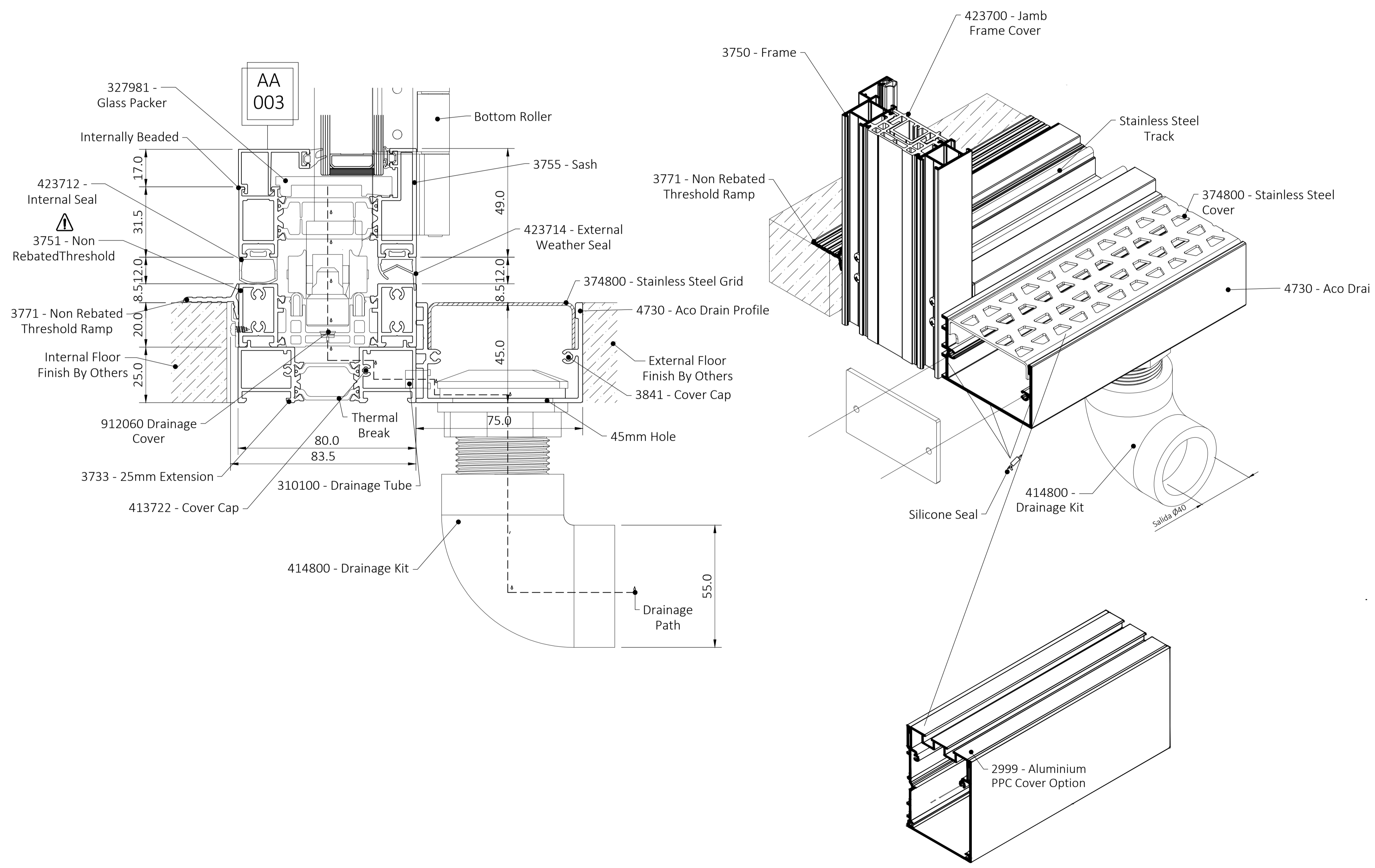
DRAWING TITLE:  
Non Rebated Thres With Ramps

SCALE: N.T.S	DRAWN BY: JM	DATE: 01.08.24
SHEET A1	CHECKED BY: XX	DATE: dd/mm/yy

DRAWING No: AA - 002 (B)	REV. A
-----------------------------	-----------

STATUS:  
XXXXX





**Notes**

Do Not Scale Off This Drawing.  
 If In Doubt Ask.

**Drawing Overview**

Frame Size: 80mm x 28.5mm  
 Extension Size: 80mm x 25mm  
 Aco Size: 75mm x 45mm  
 Frame Height To Underside Of Ramp: 45mm  
 Sash Height: 49mm

Drawing shows open out, frame & hardware to be mirrored for open in.

Non rebated thresholds are not weather rated.

REV.	DATE:

**Appley Aluminium Limited**  
 Suite 5B  
 Blackthorn House  
 Skull House Lane  
 Appley Bridge  
 WN6 7DB



© This drawing is the property of Appley Aluminium Limited. It is a confidential document and must not be copied, used or its contents divulged without prior consent.

JOB TITLE:  
**Cortizo Bifold Plus**

CLIENT:  
**Appley Aluminium**

DRAWING TITLE:  
**Aco Drain Detail**

SCALE: N.T.S	DRAWN BY: JM	DATE: 01.08.24
SHEET A1	CHECKED BY: XX	DATE: dd/mm/yy

DRAWING No: AA - 003	REV. A
-------------------------	-----------

STATUS:  
 XXXXX



Apply Aluminium  
Suite 5B



Blackthorn House  
Skull House Lane  
Appley Bridge  
WN6 7DB



[www.Appleyaluminium.co.uk](http://www.Appleyaluminium.co.uk)



Email: [Hello@Appleyaluminium.co.uk](mailto:Hello@Appleyaluminium.co.uk)



Tel: 01942 835 096