

## BI-FOLD PLUS SYSTEM

### Sightline

Jamb 89 mm, Meeting Stile 110 mm

### Polyamide Width

Frame 45 mm

Sash 45 mm

### Profile Thickness

Door 1.8 mm

### Glazing

Max. 48 mm, Min. 25 mm

### Maximum Sash Dimensions

Width (L) 1200 mm, Height (H) 3000 mm

### Maximum Sash Weight

120 kg

Consult maximum weight and dimensions according to typologies



BI-FOLD PLUS SYSTEM



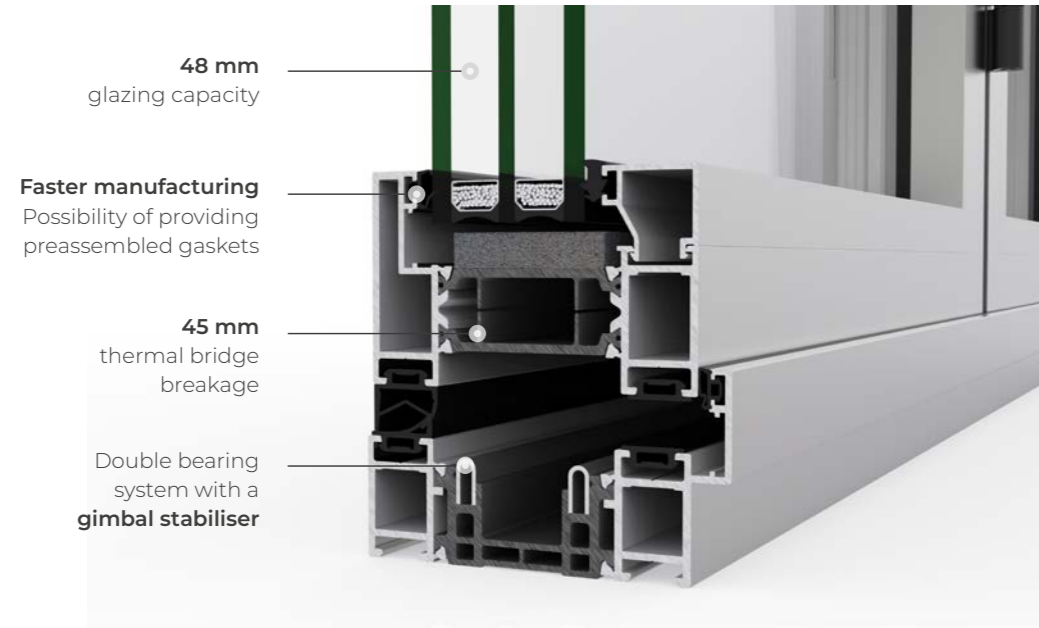


Separate environments and unify spaces with this Bi-fold door system with an 80 mm deep frame. This evolution of the Bi-fold series offers an excellent thermal and acoustic performance, thanks to its 45 mm thermal break and a glazing capacity up to 48 mm.

Besides, it presents a slim central section of 110 mm, which maximizes the glazed surface, filling the interior spaces with natural light.



- High thermal & acoustic performance
- Maximized glazed surface
- Double bearing system with a gimbal stabiliser
- Faster manufacturing
- High security



**BFRC Rating**  
kWh/(m<sup>2</sup>·yr)

≥20	A ++
>10 to <20	A +
0 to <10	A ✓
-10 to <0	B
-20 to <-10	C
-30 to <-20	D
-50 to <-30	E

Double glazing

**BFRC Rating**  
kWh/(m<sup>2</sup>·yr)

≥20	A ++ ✓
>10 to <20	A +
0 to <10	A
-10 to <0	B
-20 to <-10	C
-30 to <-20	D
-50 to <-30	E

Triple glazing

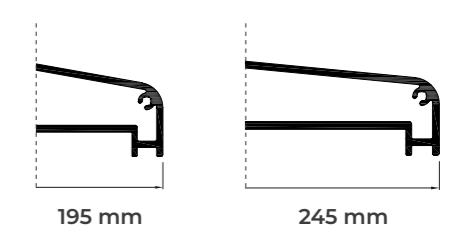
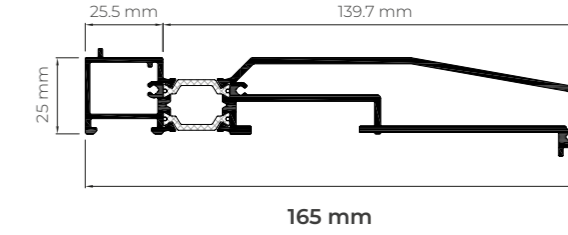
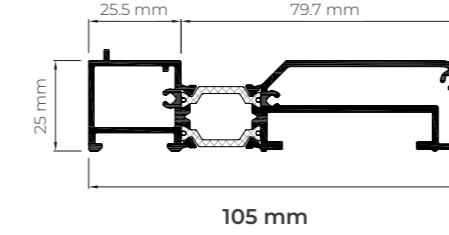


FEATURES		
U value	Double glazing * Uw from 1.2 (W/m <sup>2</sup> K)	Triple glazing * Uw ≥ 0.8 (W/m <sup>2</sup> K)
Air permeability	Class 4	
Water tightness	Class E750	
Wind resistance	Class C3	
Repeated openings and closings	50,000 cycles (Main swing door)	25,000 cycles (Even sashes)
Security test	PAS24 ✓ Passed	

\* Double glazing Ug=1.0 / Triple glazing Ug=0.5

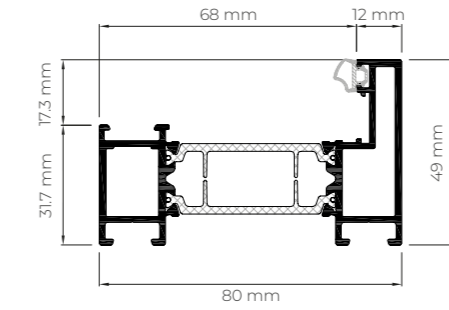


**DRAINAGE SUBCILLS**

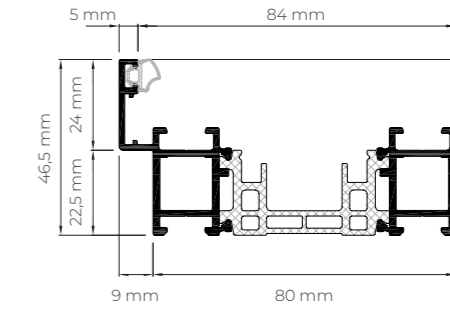


**PROFILES WITH PRE-ASSEMBLED GASKET**

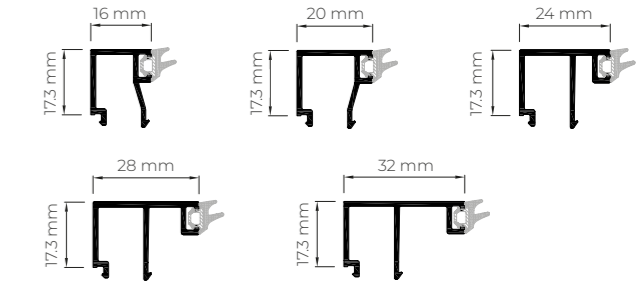
**Sash**



**Outer Frame**

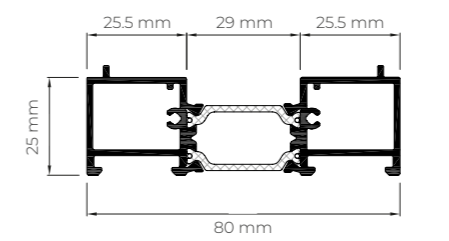


**Glazing beads**

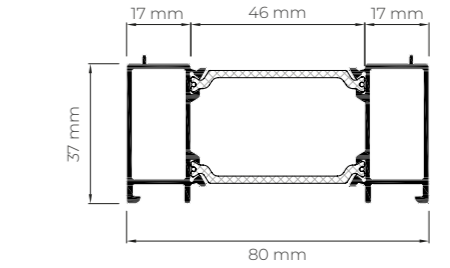


**HEAD EXTENSION**

**Head Extension 25 mm**



**Head Extension 37 mm**



Security test: 3 sashes reference test. Configuration 321 2.70 x 2.50 m  
AWW TEST. Resistance to repeated openings and closings: EN 1191, 3 sashes reference test.  
Configuration 321 3.73 x 2.50 m

**OPENING POSSIBILITIES**

**POSSIBILITIES**

SECURITY HARDWARE

ACCESSIBILITY