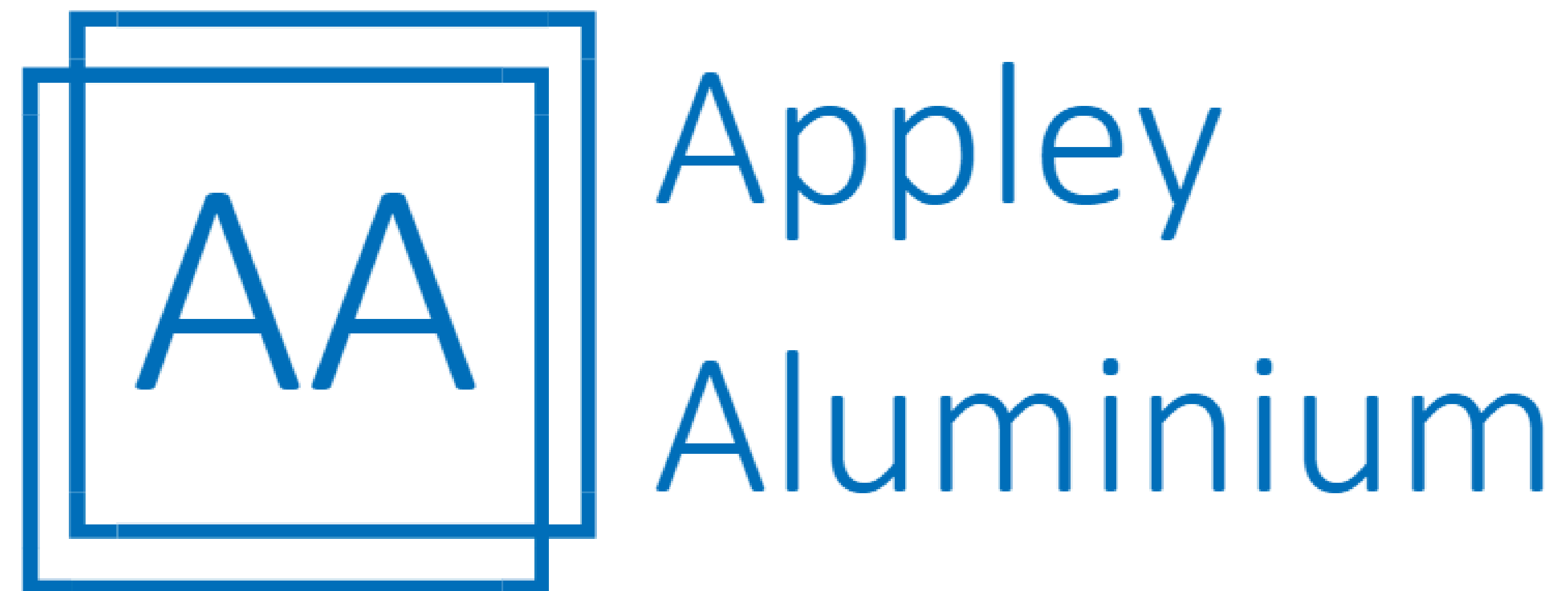


Cortizo Casement Bottom Details



Apply Aluminium
Suite 5B



Blackthorn House
Skull House Lane
Appley Bridge
WN6 7DB



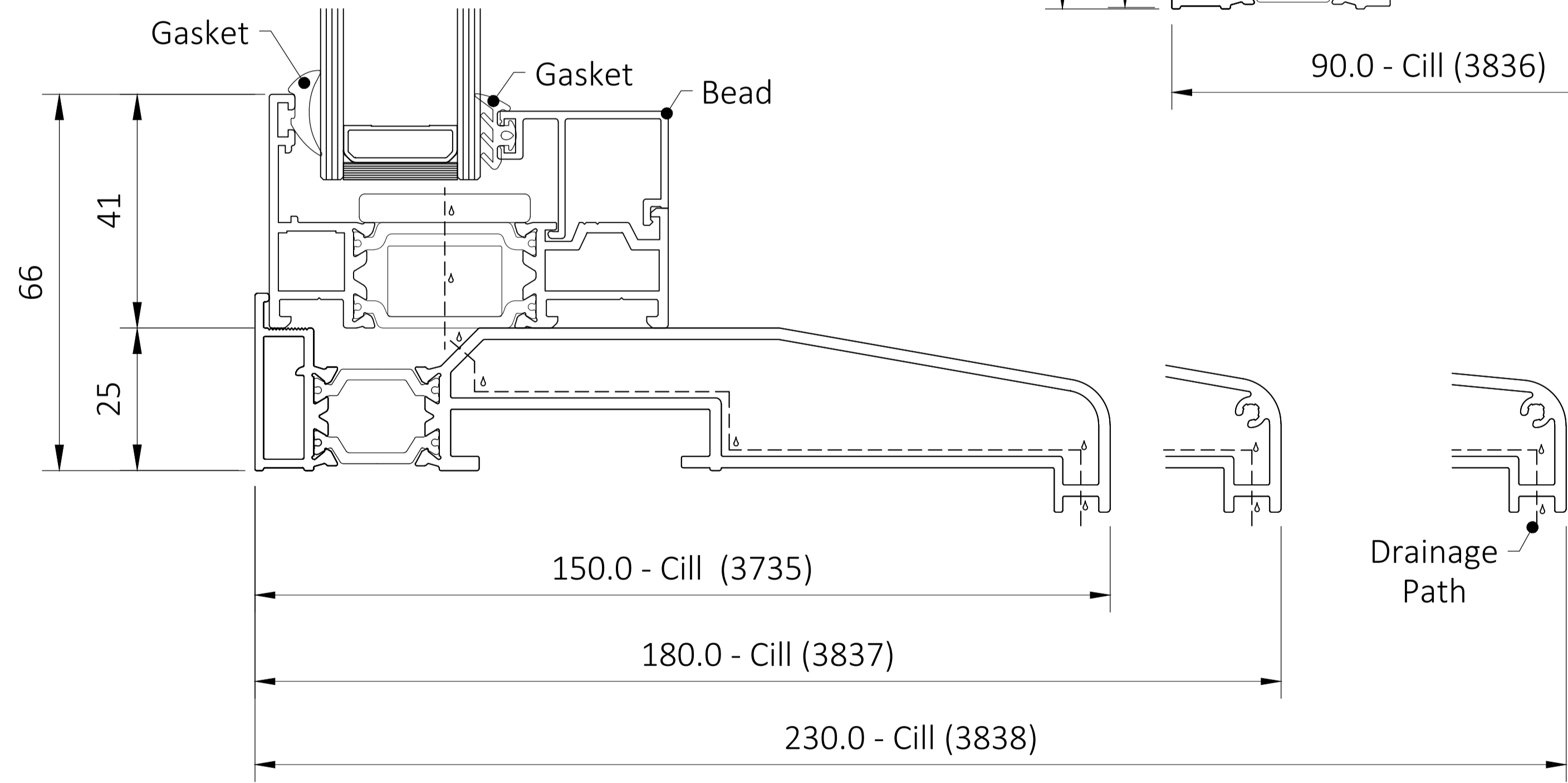
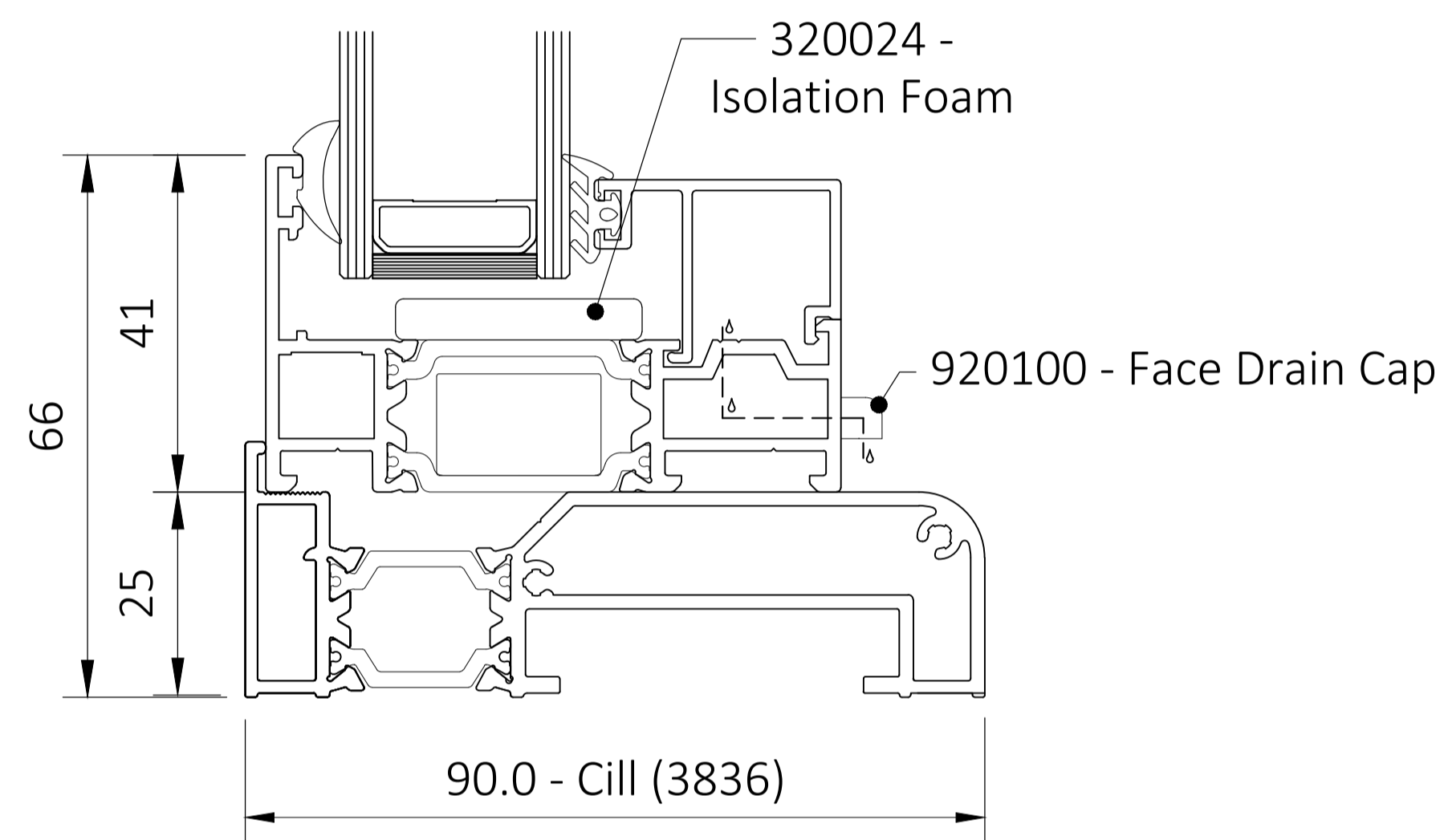
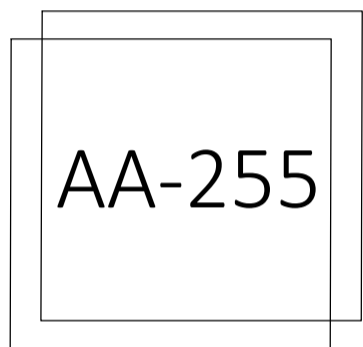
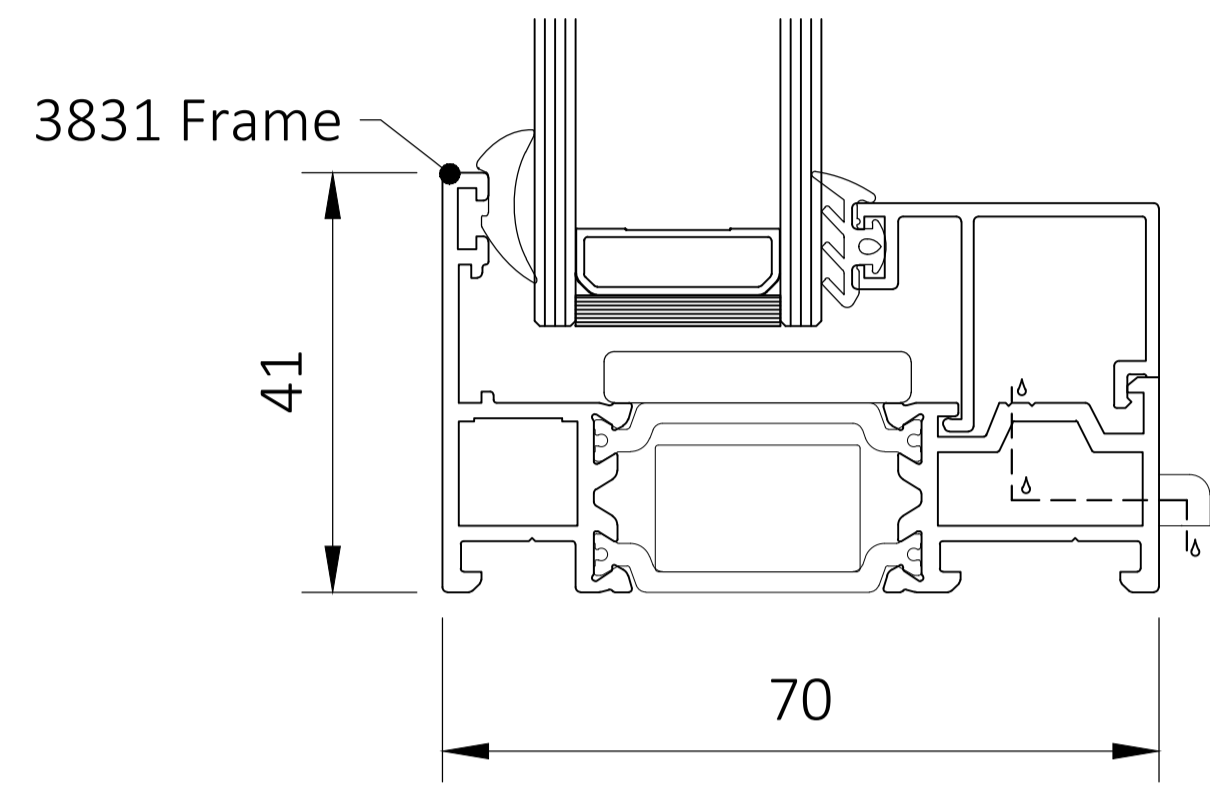
www.Appleyaluminium.co.uk



Email: Hello@Appleyaluminium.co.uk



Tel: 01942 835 096



Notes

Do Not Scale Off This drawing.
If In Doubt Ask.

Drawing Overview

Frame Size: 70mm x 41mm
Cill Height: 25mm
Bead: External
Frame Code: 3831 (Slim Frame)

Revisions:

REV.	DATE:

Appley Aluminium Limited
Suite 5B
Blackthorn House
Skull House Lane
Appley Bridge
WN6 7DB



© This drawing is the property of Appley Aluminium Limited. It is a confidential document and must not be copied, used or its contents divulged without prior consent.

JOB TITLE:
Cortizo Casement

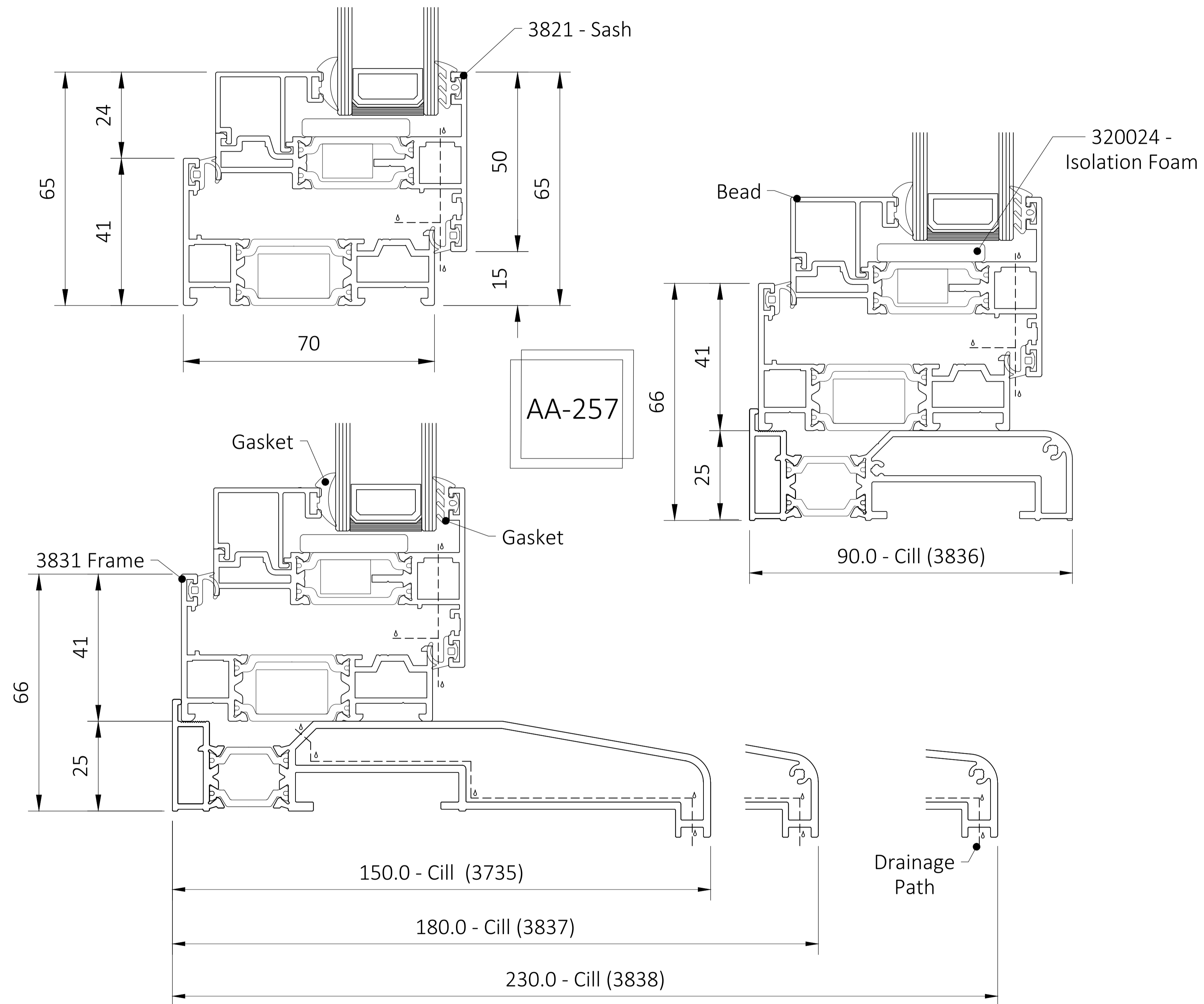
CLIENT:
Appley Aluminium

DRAWING TITLE:
Bottom Fixed Slim Frame

SCALE:	DRAWN BY:	DATE:
N.T.S	JM	01/10/2024
SHEET	CHECKED BY:	DATE:
A1	XX	dd/mm/yy

DRAWING No:	REV.
AA - 255	A

STATUS:
XXXXX



Notes
Do Not Scale Off This drawing.
If In Doubt Ask.

Drawing Overview
Frame Size: 70mm x 41mm
Cill Height: 25mm

Locking Type: ESPAG
Handle Type: Inline

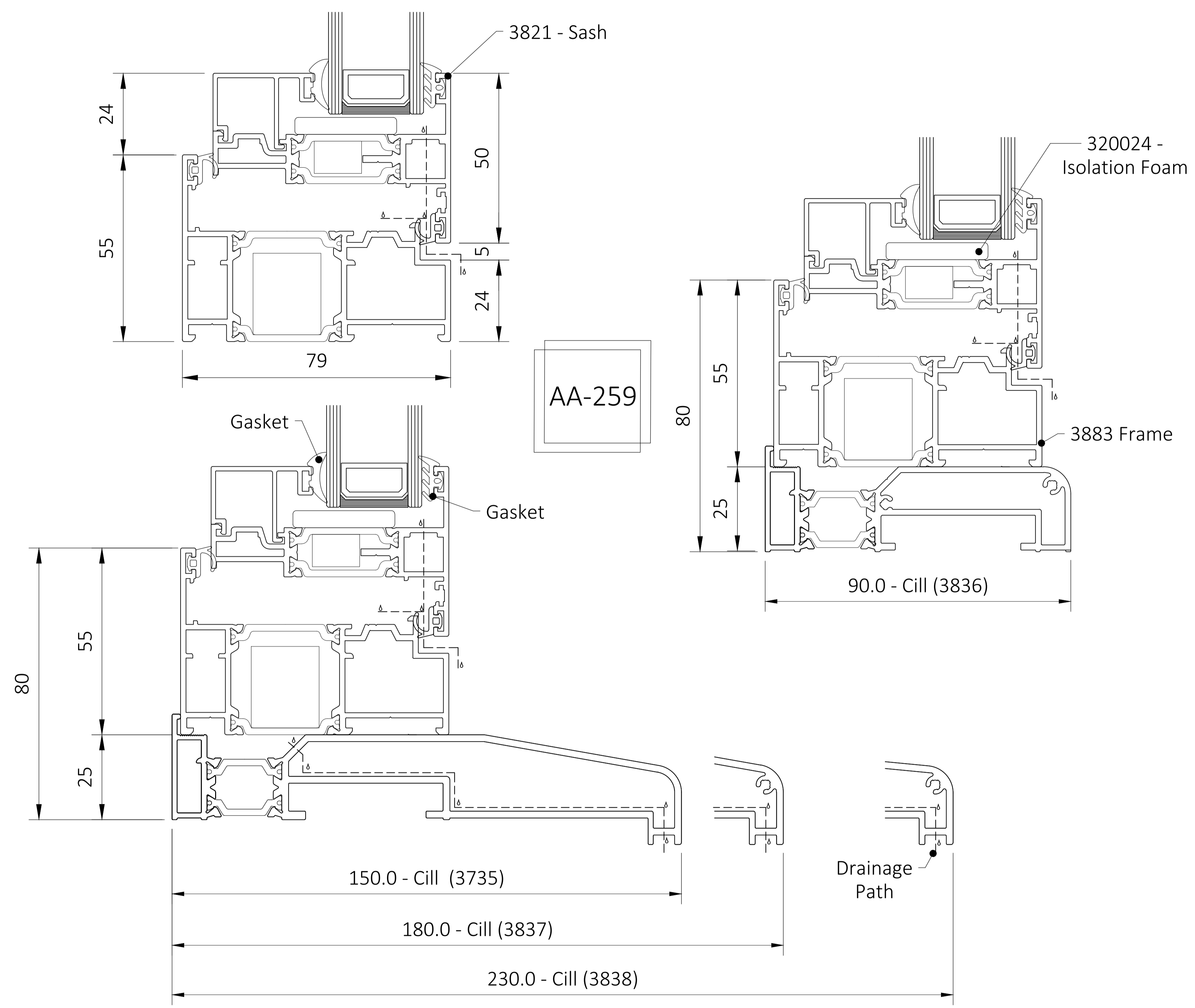
Frame Code: 3831 (Slim Frame)
Sash Code: 3821 (Slim Sash)

Revisions:	
REV.	DATE:
REV.	DATE:
REV.	DATE:
REV.	DATE:

Appley Aluminium Limited
Suite 5B
Blackthorn House
Skull House Lane
Appley Bridge
WN6 7DB

© This drawing is the property of Appley Aluminium Limited. It is a confidential document and must not be copied, used or its contents divulged without prior consent.

JOB TITLE: Cortizo Casement		
CLIENT: Appley Aluminium		
DRAWING TITLE: Bottom Slim Frame + Sash		
SCALE: N.T.S	DRAWN BY: JM	DATE: 01/10/2024
SHEET: A1	CHECKED BY: XX	DATE: dd/mm/yy
DRAWING No: AA - 257		REV. A
STATUS: XXXXX		



Notes

Do Not Scale Off This drawing.
If In Doubt Ask.

Drawing Overview

Frame Size: 79mm x 55mm
Cill Height: 25mm

Locking Type: ESPAG
Handle Type: Inline

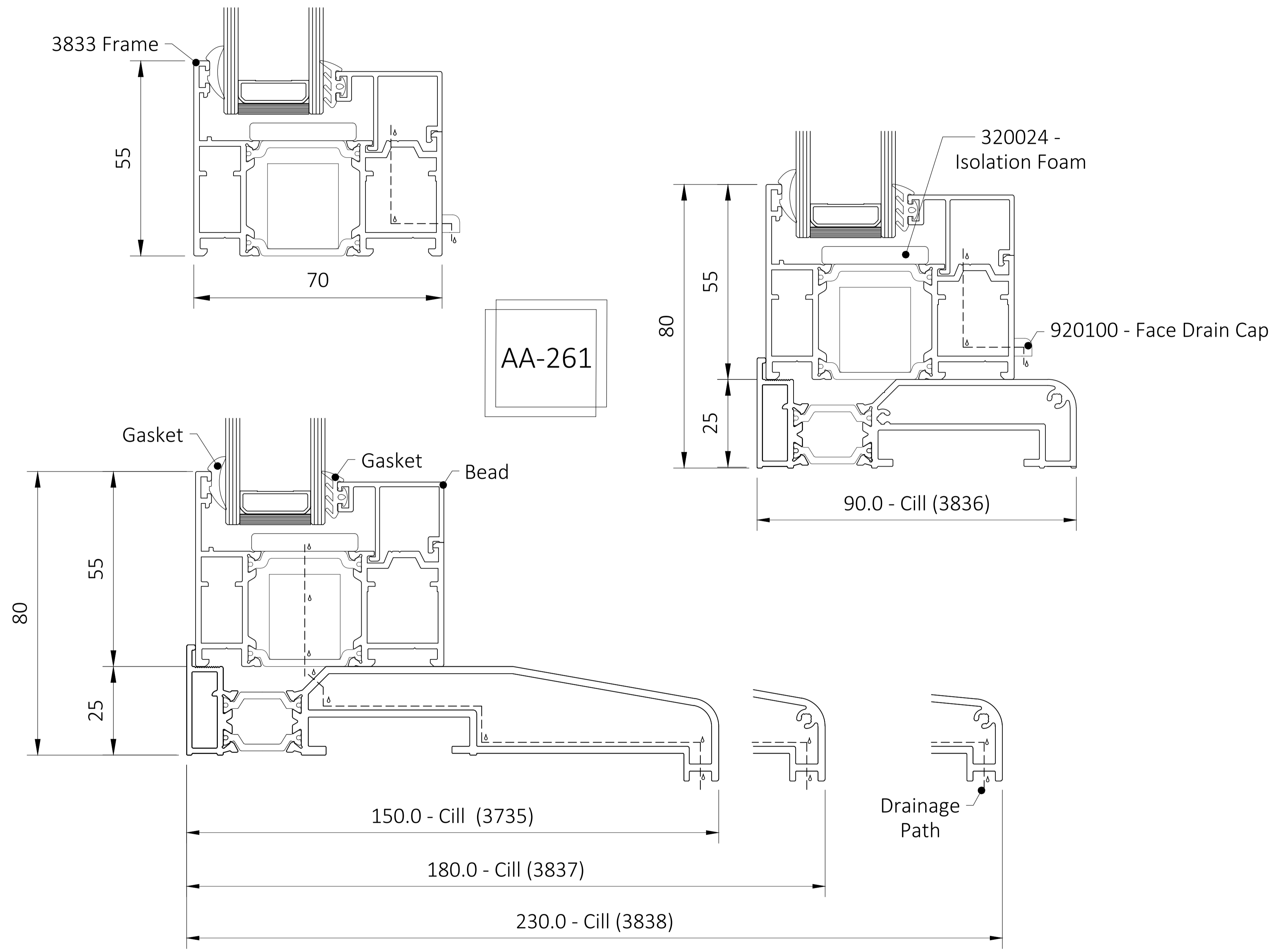
Frame Code: 3883 (Flush Frame)
Sash Code: 3821 (Slim Sash)

Revisions:	
REV.	DATE:
REV.	DATE:
REV.	DATE:
REV.	DATE:

Appley Aluminium Limited
Suite 5B
Blackthorn House
Skull House Lane
Appley Bridge
WN6 7DB

© This drawing is the property of Appley Aluminium Limited. It is a confidential document and must not be copied, used or its contents divulged without prior consent.

JOB TITLE:		
Cortizo Casement		
CLIENT:		
Appley Aluminium		
DRAWING TITLE:		
Bottom Flush Casement		
SCALE:	DRAWN BY:	DATE:
N.T.S	JM	01/10/2024
SHEET:	CHECKED BY:	DATE:
A1	XX	dd/mm/yy
DRAWING No:	REV.	
AA - 259	A	
STATUS:		
XXXXX		



Notes

Do Not Scale Off This drawing.
If In Doubt Ask.

Drawing Overview

Frame Size: 70mm x 55mm
Cill Height: 25mm

Bead: External

Frame Code: 3833 (Large Frame)

Revisions:	
REV.	DATE:
REV.	DATE:
REV.	DATE:
REV.	DATE:

Appley Aluminium Limited
Suite 5B
Blackthorn House
Skull House Lane
Appley Bridge
WN6 7DB

© This drawing is the property of Appley Aluminium Limited. It is a confidential document and must not be copied, used or its contents divulged without prior consent.

JOB TITLE:
Cortizo Casement

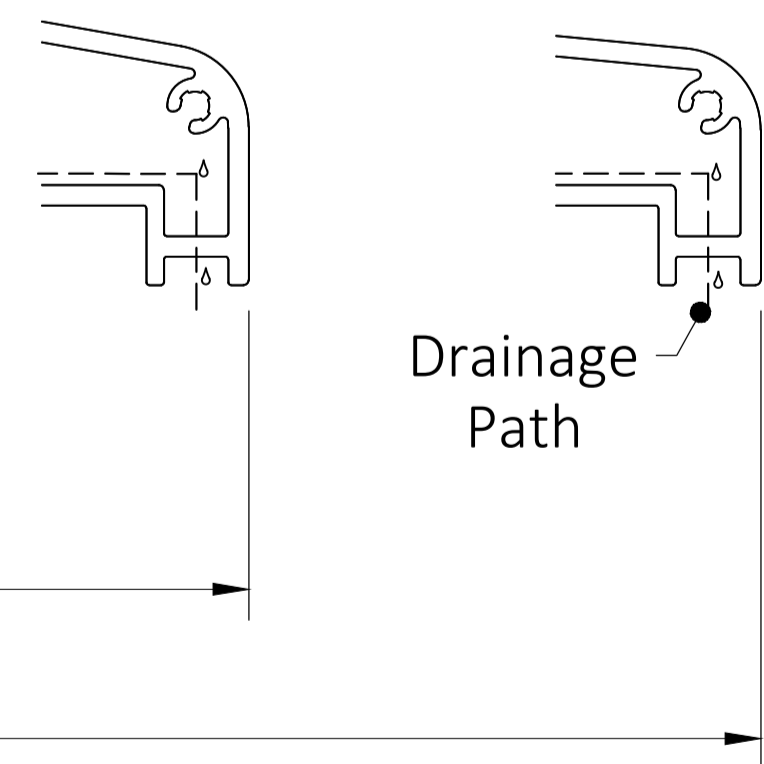
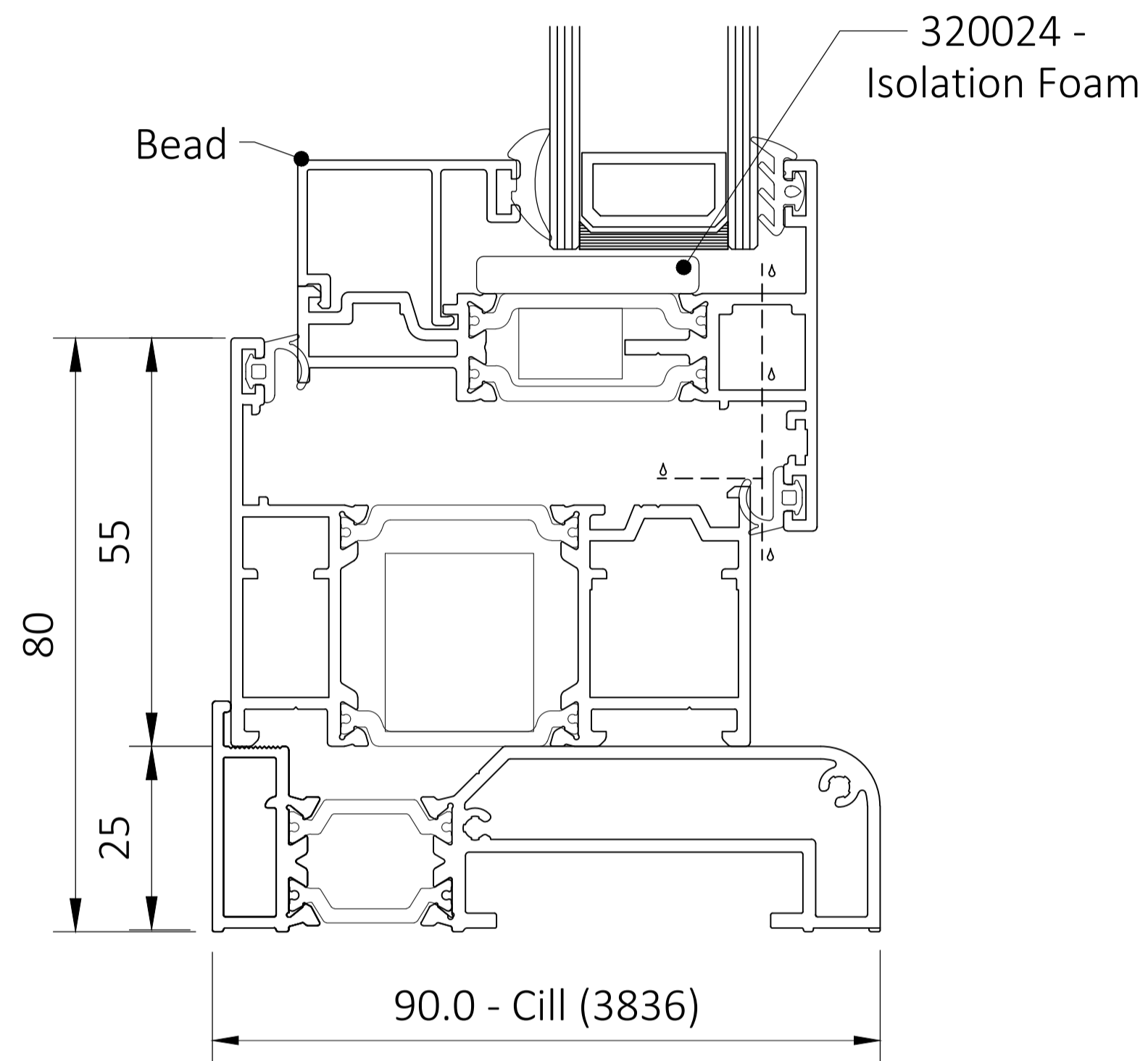
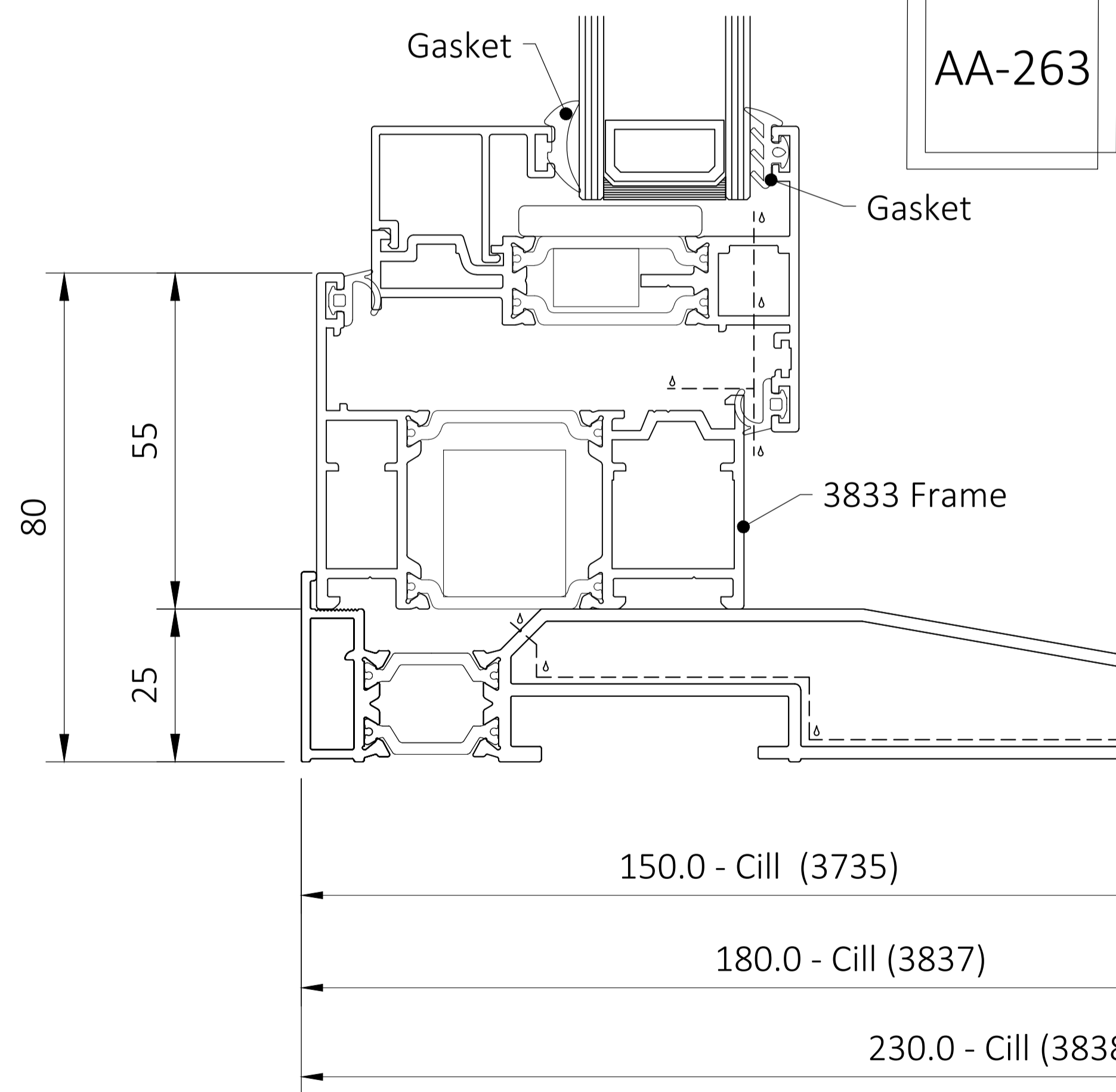
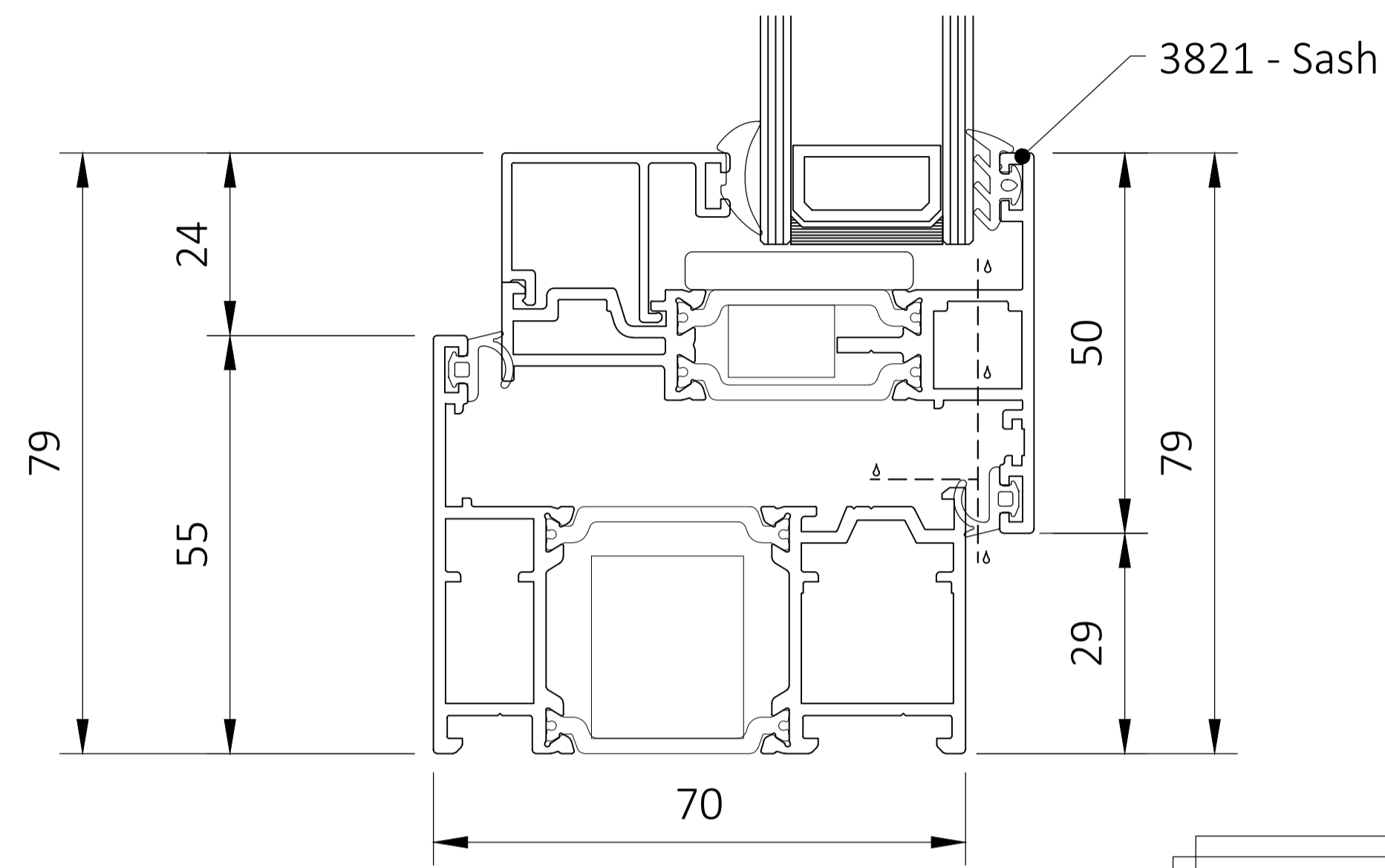
CLIENT:
Appley Aluminium

DRAWING TITLE:
Bottom Fixed Large Frame

SCALE: N.T.S	DRAWN BY: JM	DATE: 01/10/2024
SHEET A1	CHECKED BY: XX	DATE: dd/mm/yy

DRAWING No: AA - 261	REV. A
-------------------------	-----------

STATUS:
XXXXX



Notes
Do Not Scale Off This drawing.
If In Doubt Ask.

Drawing Overview
Frame Size: 70mm x 55mm
Cill Height: 25mm

Locking Type: ESPAG
Handle Type: Inline

Frame Code: 3833 (Slim Frame)
Sash Code: 3821 (Slim Sash)

Revisions:	
REV.	DATE:
REV.	DATE:
REV.	DATE:
REV.	DATE:

Appley Aluminium Limited
Suite 5B
Blackthorn House
Skull House Lane
Appley Bridge
WN6 7DB



© This drawing is the property of Appley Aluminium Limited. It is a confidential document and must not be copied, used or its contents divulged without prior consent.

JOB TITLE:
Cortizo Casement

CLIENT:
Appley Aluminium

DRAWING TITLE:
Bottom Large Frame + Sash

SCALE: N.T.S	DRAWN BY: JM	DATE: 01/10/2024
SHEET A1	CHECKED BY: XX	DATE: dd/mm/yy

DRAWING No: AA - 263	REV. A
-------------------------	-----------

STATUS:
XXXXX



Appley Aluminium

Apply Aluminium
Suite 5B



Blackthorn House
Skull House Lane
Appley Bridge
WN6 7DB



www.Appleyaluminium.co.uk



Email: Hello@Appleyaluminium.co.uk



Tel: 01942 835 096